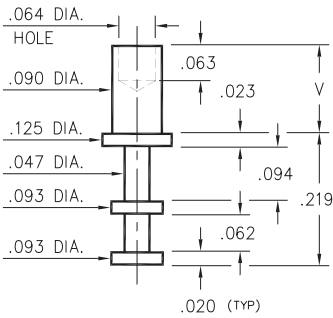


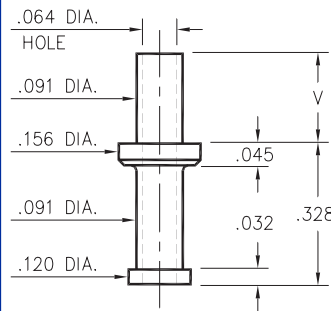
2501



2501-X-00-XX-00-00-07-0
Swage mount in .094 hole

- X -	Board Thickness	Length V
1	.031	.078
2	.062	.109
3	.094	.140
4	.125	.171

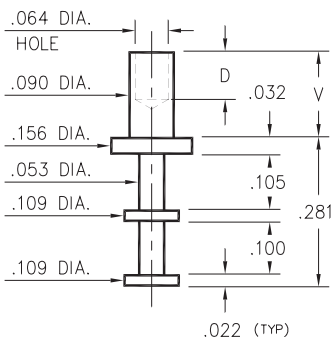
2703



2703-X-00-XX-00-00-07-0
Swage mount in .094 hole

- X -	Board Thickness	Length V
1	.031	.077
2	.062	.107
3	.094	.137
4	.125	.167

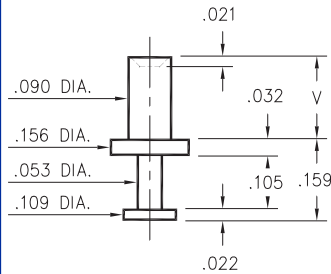
2702



2702-X-00-XX-00-00-07-0
Swage mount in .094 hole

- X -	Board Thickness	Length V	Depth D
1	.031	.075	.063
2	.062	.105	.093
3	.094	.135	
4	.125	.165	

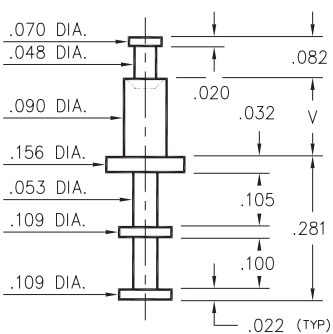
2710



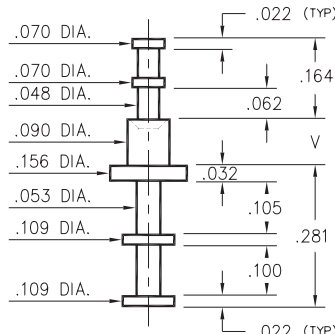
2710-X-00-XX-00-00-07-0
Swage mount in .094 hole

- X -	Board Thickness	Length V
1	.031	.062
2	.062	.094
3	.094	.125
4	.125	.156

2717/2713



2717-X-00-XX-00-00-07-0
Swage mount in .094 hole



2713-X-00-XX-00-00-07-0
Swage mount in .094 hole

- X -	Board Thickness	Length V
1	.031	.062
2	.062	.094
3	.094	.125
4	.125	.156

SPECIFICATIONS

PIN MATERIAL:
Brass Alloy 360, 1/2 Hard
Swage pins are annealed

DIMENSION IN INCHES
TOLERANCES ON:
LENGTHS: ±.005
DIAMETERS: ±.002
ANGLES: ± 2°

ORDER CODE: 2XXX - X - 00 - XX - 00 - 00 - 07 - 0

BASIC PART #

SPECIFY PIN FINISH:
01 200µ" TIN/LEAD OVER NICKEL
80 200µ" TIN OVER NICKEL ◊
44 300µ" SILVER OVER COPPER ◊
50 300µ" ELECTRO-SOLDER (60/40 SnPb)

